

# LINE OF FIRE



## Remember to ask about the line of fire!

- What are the line of fire hazards in this job?
- What line of fire hazards can be easy to overlook?
- What other line-of-fire hazards exist in the area around us?
- How do we ensure that nobody ends up in the line of fire?

# LINE OF FIRE

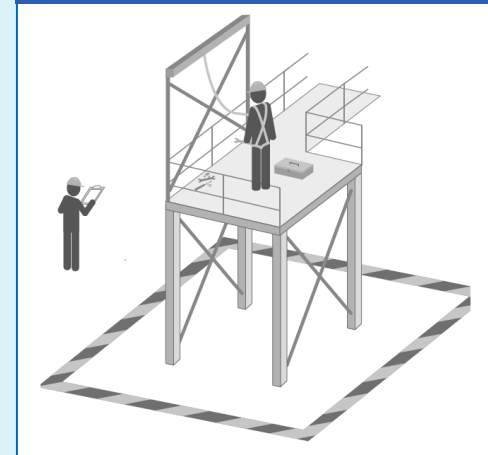
1. Moving vehicles and mobile equipment



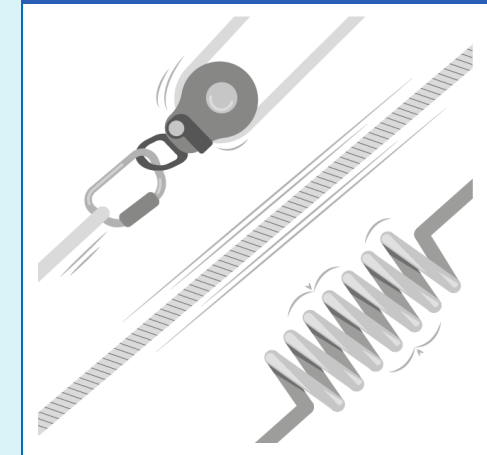
2. Mechanical lifting and hoisting



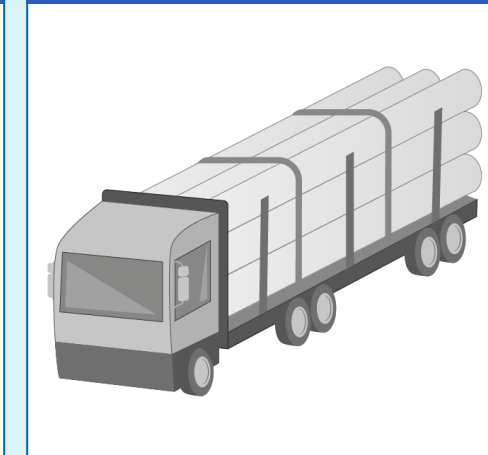
3. Work at height, falls and dropped objects



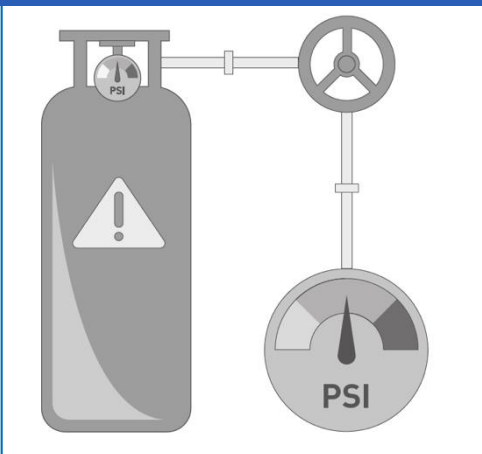
4. Tensioned lines, spring loaded devices and stored energy



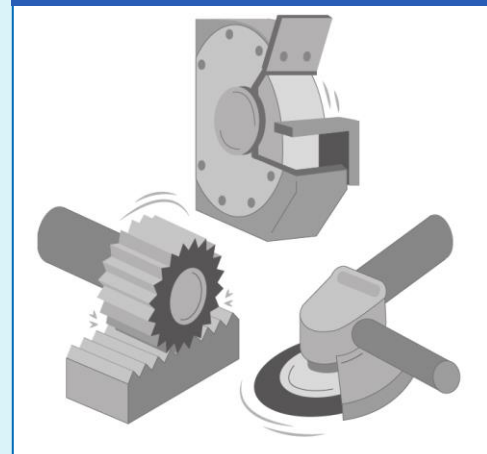
5. Uncontrolled rolling, sliding or falling



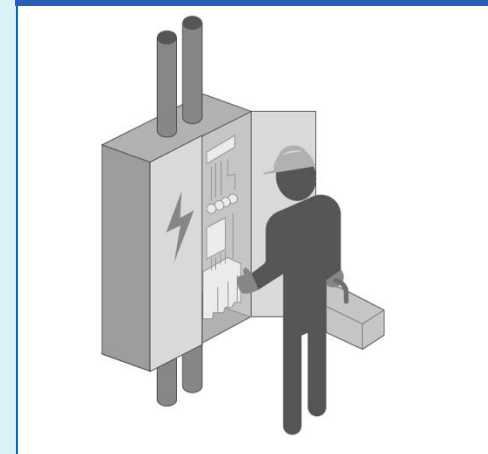
6. Pressurized systems and vacuum systems



7. Machinery and tools



8. Electrical equipment and exposure



9. Projectiles, explosion and jet fire



10. Natural environmental events and extreme weather

